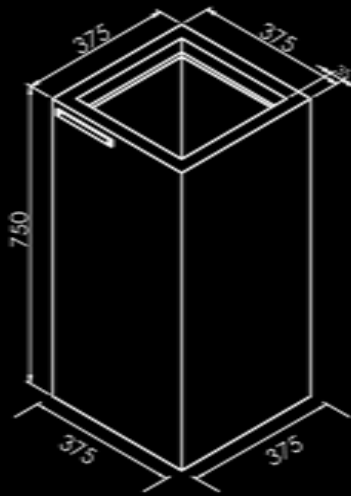


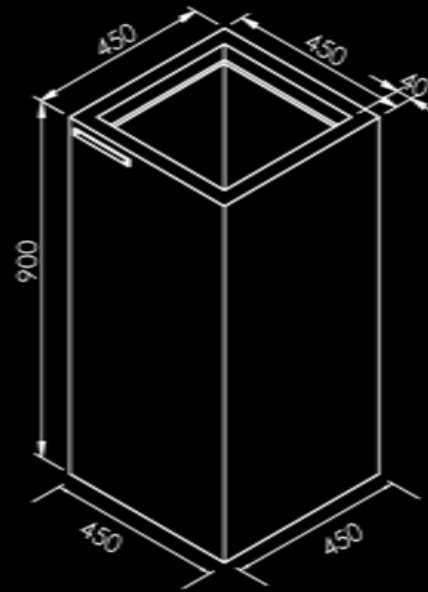


**THE LUXURY
PLANTER COLLECTION**

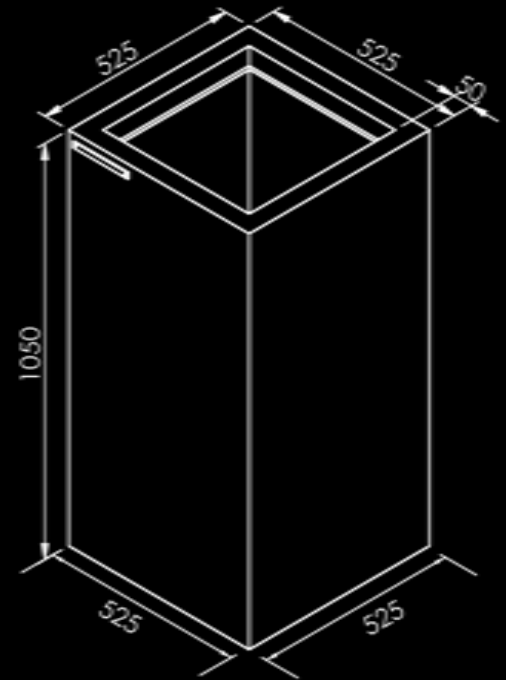
EU Specifiers Guide



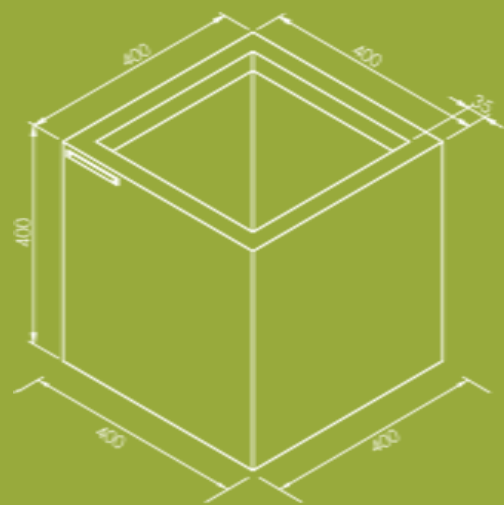
PILLAR Small
16.3 kg



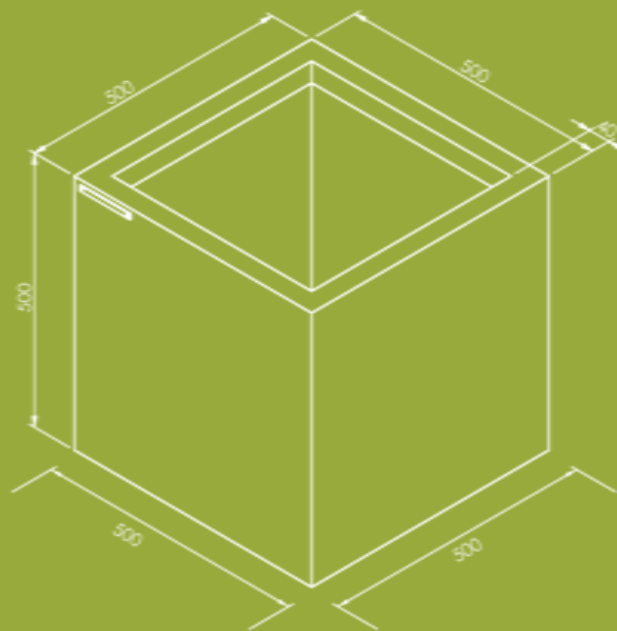
PILLAR Medium
23 kg



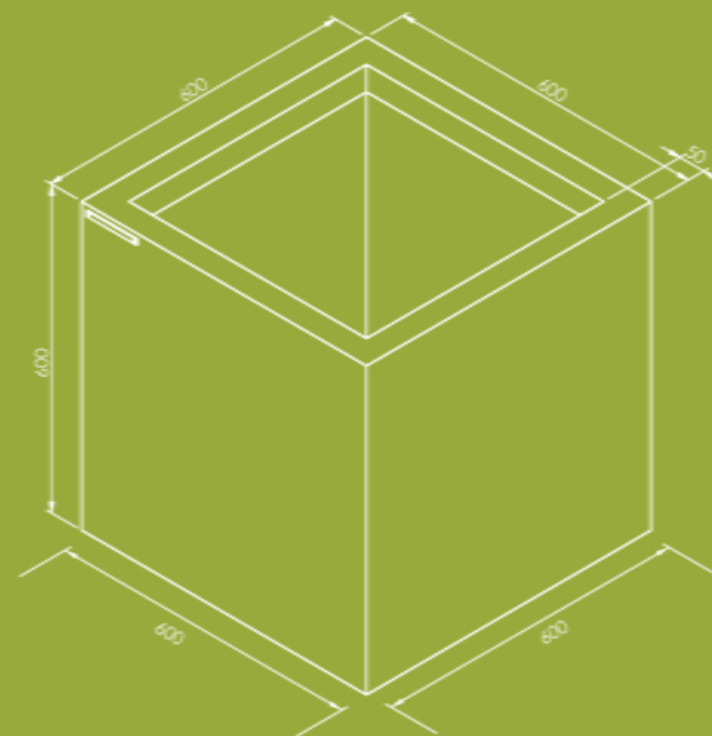
PILLAR Large
30.6 kg



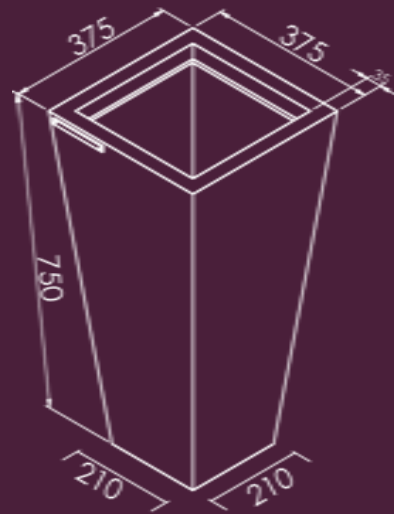
CUBE Small
10.8 kg



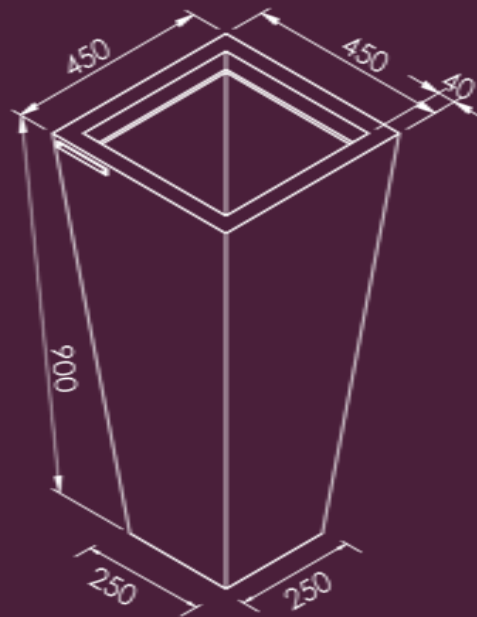
CUBE Medium
16.6 kg



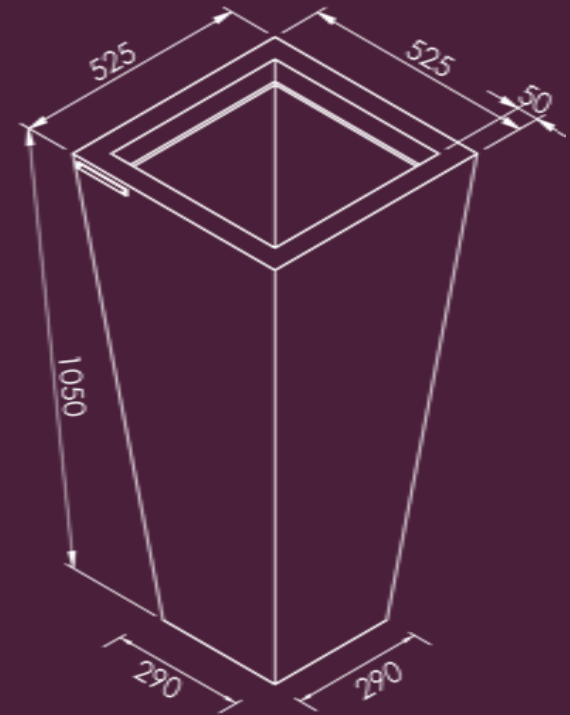
CUBE Large
24.2 kg



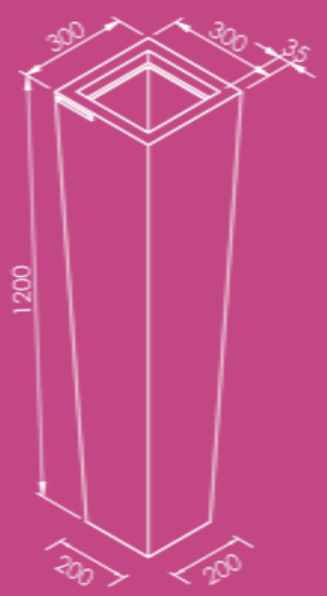
VASE Small
12.4 kg



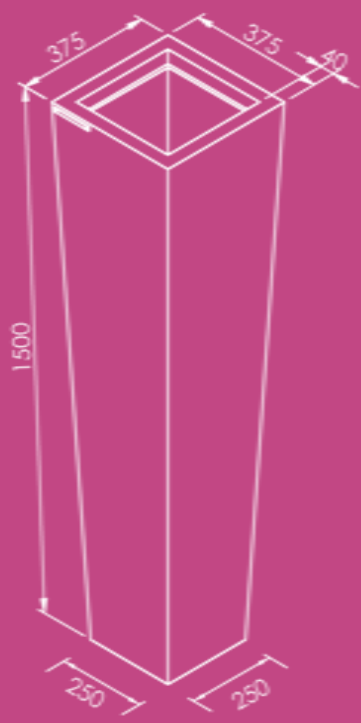
VASE Medium
17.3 kg



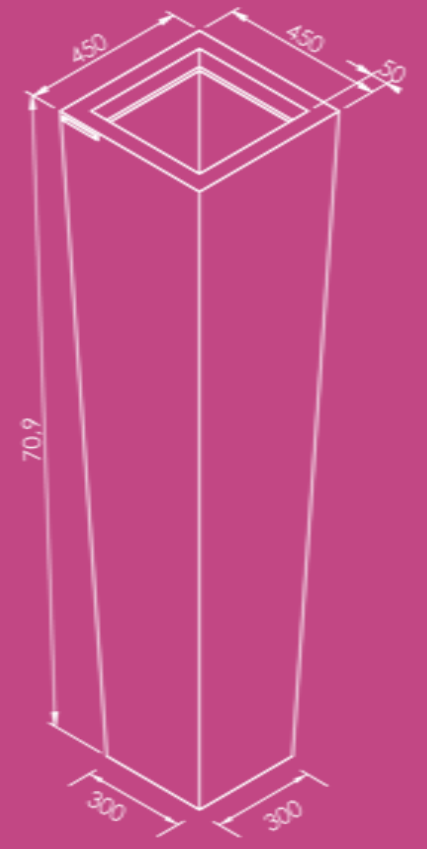
VASE Large
23 kg



TALL VASE Small
16 kg



TALL VASE Medium
24.4 kg



TALL VASE Large
35 kg

THE LUXURY PLANTER COLLECTION



The planters are manufactured in 1.5mm prime galvanized steel, coated with exterior grade polyester powder coating.

A bespoke design service is available, to accommodate designers with the ability to create unique sizes, styles and colours. The typical lead time for bespoke orders is 6 weeks.

The planters are guaranteed against corrosion for a period of 2 years, provided there has been no physical damage to the coating.

Where required, the planters can be bolted to the ground through the drainage holes. Alternatively, they can be drilled and bolted into walls. However damage to paint caused by drilling may expose the planter to corrosion in the long term.

The planters should be cleaned using a damp sponge or cloth. If required a simple detergent may be used. The coating has a high life expectancy similar to that of the bodywork on a car. If the planters are cleaned regularly they will retain their appearance even after a long period of use. The use of scouring cleaners or the scouring side of a sponge can lead to surface damage, which in combination with the weather can eventually lead to corrosion.



L A R Z I D I S C A P E

luxuryplanters.com

**THE LUXURY
PLANTER COLLECTION**